

## SR 21 CJM

The robust 23-meter telescopic work platform has a telescopic boom with a movable cage arm, a maximum cage load of 250 kg and a maximum lateral reach of 16.70 meters.



### Electrical-hydraulic proportional control

Robuste und übersichtliche Korbsteuerung.



### Ground control system

Extensive and easy-to-use ground control



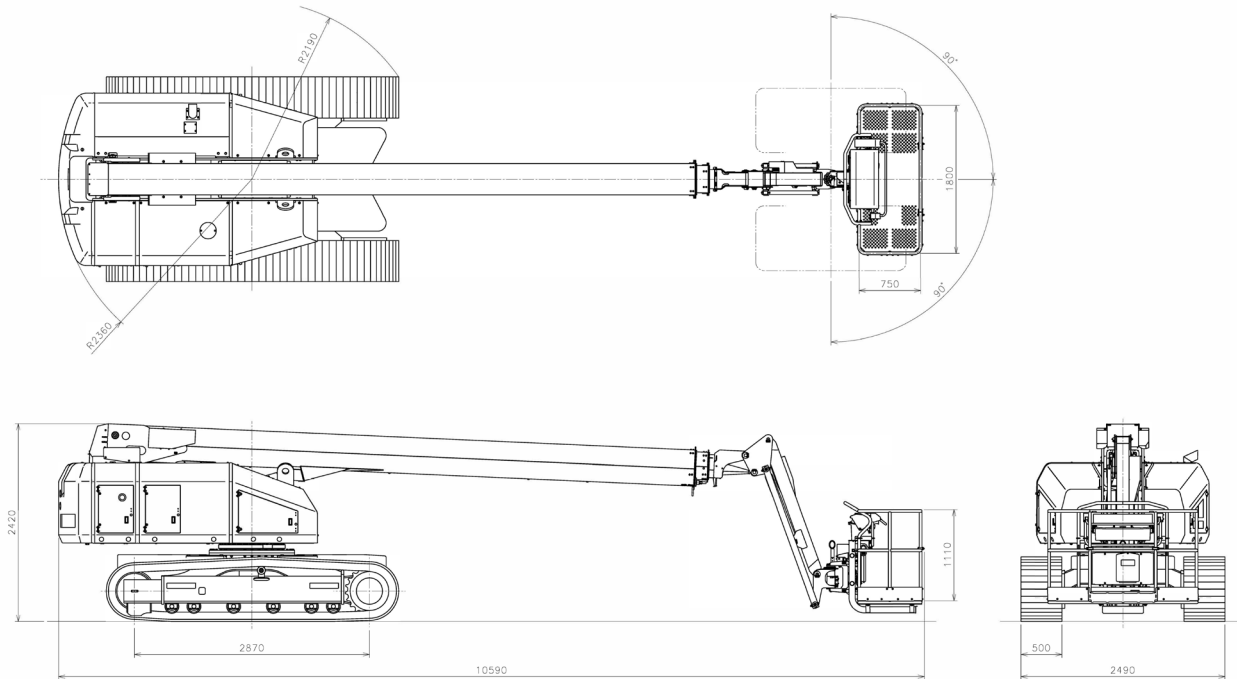
### Movable cage arm

with a cage capacity of up to 270 kg and a large steel

### Technical details

Max. Working height	22.70 m	Min. Transportation dimension L x W x H	10.59 x 2.49 x 2.42 m
Max. Platform height	20.70 m	Total weight	14,200 kg
Max. Lateral range	16.70 m	Basket rotation angle	+/- 90°
Rotation tower angle	360°	Control System	Electrical-hydraulic proportional control
Basket size L x W x H	1.80 x 0.75 x 1.11 m	Antrieb	Yanmar engine (diesel) 4TN98C-1NAS
Korblast	250 kg / 2 Personen	Fuel tank capacity	130 L
Max. Speed	0,5 - 1,8 km/h (0.31 - 1.1 mph)		

We reserve the right to make technical changes. Illustrations may contain optional extras.



## SR 21 CJM

### Technische Daten

Max. Working height	22.70 m
Max. Platform height	20.70 m
Max. Lateral Range	16.70 m
Rotation tower angle	360° (endlos)
Basket rotation angle	+/- 90°
Max. Cage capacity	250 kg
Basketsize L x W x H	1.80 x 0.75 x 1.11 m
Min. Transportation dimension L x W x H	10.59 x 2.49 x 2.42 m
Total weight	14,200 kg
Max. Speed	0.5 - 1.8 km/h (0.31 - 1.1 mph)
Control System	Electrical-hydraulic proportional control

### Engine

Engine	Yanmar engine (diesel) 4TN98C-1NAS diesel particulate filter
--------	---

### Features

<p>Standard features:</p> <ul style="list-style-type: none"> <li>- tracked undercarriage</li> <li>- rotating basket</li> <li>- Yanmar 4TN98C-1NAS</li> <li>- diesel particulate filter</li> </ul>	<p>Optional extras:</p> <ul style="list-style-type: none"> <li>- Customized RAL painting</li> <li>- Rubber pads</li> <li>- Generator</li> </ul>
---	---

