

SV10 EWL

The AICHI SV10 EWL scissor lift reaches a maximum working height of 11.68 m and is suitable for indoor and outdoor use with a maximum load capacity of 450 or 320 kg.



For indoors and outdoors

Enables efficient working



One-sided Platform extension

1.27 meter platform extension on one side with max. 120 kg load capacity.



Electric drive

Powerful electric motors with infinitely variable travel speed.

Technical details

Max. Working height	11.68 m	Max. Speed	0.8 km/h / 4 km/h (0.49 mph / 2.49 mph)
Platform extension	1.27 m	Min. Transportation dimension L x W x H	2.69 x 1.17 x 1.99 m
Load capacity	450 kg	Total weight	2,960 kg
Load capacity on platform extension	120 kg	Max. Height during the procedure	11.68 m
Platform size L x W x H	2.41 x 1.04 x 1.11 m	Max. Longitudinal/ transverse inclination	3° / 2°
Engine	Batterie 4x6 V 185 Ah	Max. Gradability	14°

SV10 EWL

Technical details

Max. Working height	11.68 m
Max. Platform height	9.68 m
Platform extension	1.27 m
Max. Platform load capacity	450 kg / 2 Persons (Platform up to 7,92 m indoors) 320 kg / 2 Persons (Platform extended indoor) 320 kg / 1 Person (Platform extended outdoor)
Load capacity platform extension	120 kg / 1 Person
Max. Height during the procedure	11.68 m
Max. Transportation dimension L x W x H	2.50 x 1.17 x 2.33 m
Min. Transportation dimension L x W x H	2.69 x 1.17 x 1.99 m
Lifting time (unloaded)	44 - 66 seconds
Lowering time	48 - 72 seconds
Total weight	2,960 kg
Max. Gradability	14°
Control system	Proportional control system

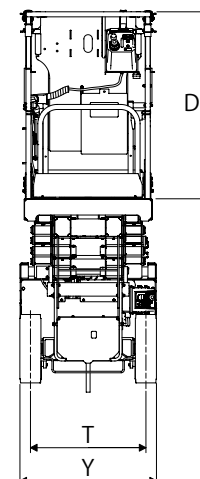
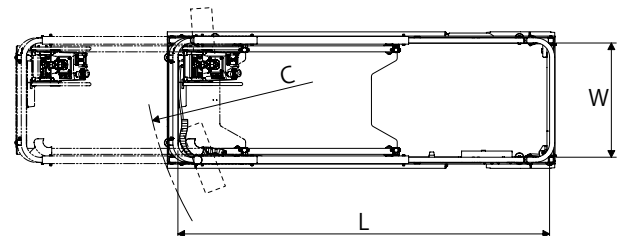
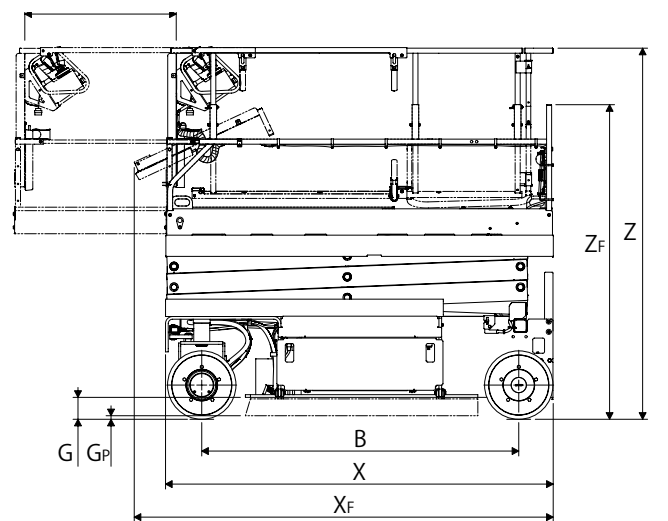
Engine

Engine	Battery
Battery pack	24 V / 185 Ah
Battery charger	24 V / 25 A

Features

Standard features:

- Bright and non-marking tires
- Multifunction display
- Extendable platform
- Ground control
- Indicator lights Charger
- Folding railing



C	2.58 m
L	2.41m
W	1.04 m
E	1.27 m
G	130 mm
Gp	20 mm
B	2.08 m
X	2.50 m
XF	2.69 m
ZF	1.99 m
Z	2.33 m
D	1.11 m
T	1.05 m
Y	1.17 m