

SV08 ENL

The AICHI SV08 ENL scissor lift reaches a maximum working height of 9.77 m and is suitable for indoor use with a maximum load capacity of 360 kg.



Control system

The simple controls allow easy operation.



One-sided

Platform extension

0.90 meter platform extension on one side with max. 120 kg load capacity.



Full height movable

Enables efficient working.

Technical details

Max. Working height	9.77 m	Max. Speed	0.8 km/h / 4.5 km/h (0.49 mph / 2.79 mph)
Platform extension	0.90 m	Min. Transportation dimension L x W x H	2.49 x 0.81 x 1.99 m
Load capacity inside/outside	360 kg	Total weight	2,100 kg
Load capacity on platform extension	120 kg	Max. Height during the procedure	9.77 m
Platform size L x W x H	2.21 x 0.68 x 1.11 m	Max. Longitudinal/ transverse inclination	3° / 1,5°
Engine	Batterie 4x6 V 185 Ah	Max. Gradability	14°

SV08 ENL

Technical details

Max. Working height	9.77 m
Max. Platform height	7.77 m
Platform extension	0.90 m
Max. Platform load capacity	360 kg / 2 Persons (Plattform up to 6,10 m) 230 kg / 2 Persons (Plattform extended)
Load capacity platform extension	120 kg / 1 Person
Max. Height during the procedure	9.77 m
Max. Transportation dimension L x W x H	2.30 x 0.81 x 2.33 m
Min. Transportation dimension L x W x H	2.49 x 0.81 x 1.99 m
Lifting time (unloaded)	26 - 40 seconds
Lowering time	29 - 45 seconds
Total weight	2,100 kg
Max. Gradability	14°
Control system	Proportional control system

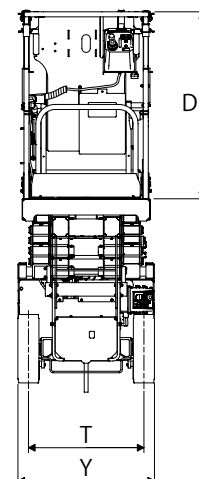
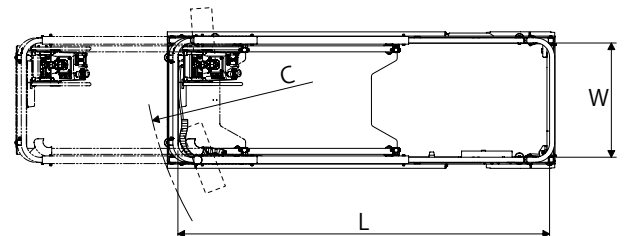
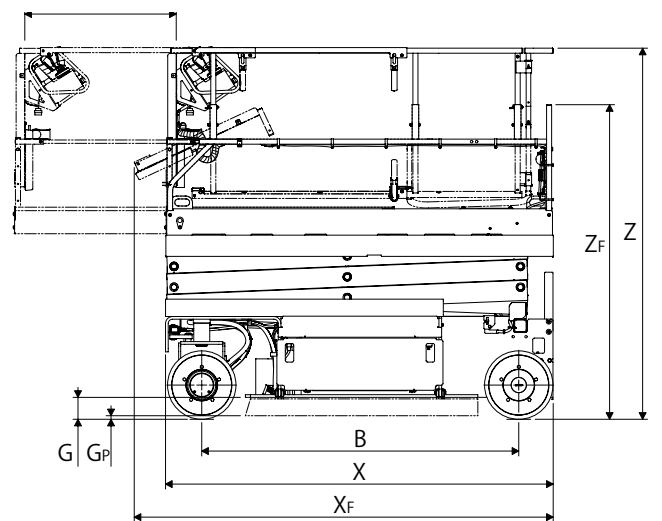
Engine

Engine	Battery
Battery pack	24 V / 185 Ah
Battery charger	24 V / 25 A

Features

Standard features:

- Bright and non-marking tires
- Multifunction display
- Extendable platform
- Ground control
- Indicator lights Charger
- Folding railing



C	2.25 m
L	2.21m
W	0.68 m
E	0.90 m
G	130 mm
Gp	20 mm
B	1.88 m
X	2.30 m
Xf	2.49 m
Zf	1.99 m
Z	2.33 m
D	1.11 m
T	0.69 m
Y	0.81 m