

SV06 ENS

The AICHI SV06 ENS scissor lift reaches a maximum working height of 7.72 m and, with a maximum load capacity of 230 kg, is suitable for indoor and outdoor use.



Control System

The simple controls allow easy operation.



One-sided Platform extension

0.90 meter platform extension on one side with max. 120 kg load capacity.



Full height movable

Enables efficient working even in rough terrain.

Technical details

Max. Working height	7.72 m	Max. Speed	0.8 km/h / 4.8 km/h (0.49 mph / 2.98 mph)
Platform extension	0.90 m	Min. Transportation dimension L x W x H	2.06 x 0.81 x 1.65 m
Load capacity	230 kg	Total weight	1,540 kg
Load capacity on platform extension	120 kg	Max. Height during the procedure	7.72 m
Platform size L x W x H	1.77 x 0.68 x 1.11 m	Max. Longitudinal/ transverse inclination	3° / 1,5°
Engine	Trojan T105 185 Ah/ 4 x 6V	Max. Gradability	14°

SV06 ENS

Technical details

Max. Working height	7.72 m
Max. Platform height	5.72 m
Platform extension	0.90 m
Max. Platform load capacity (outdoor)	230 kg / 2 Persons (230 kg / 1 Person)
Load capacity platform extension	120 kg / 1 Person
Max. Height during the procedure	7.72 m
Max. Transportation dimension L x W x H	1.87 x 0.81 x 1.99 m
Min. Transportation dimension L x W x H	2.06 x 0.81 x 1.65 m
Lifting time (unloaded)	21- 31 seconds
Lowering time	24 - 36 seconds
Total weight	1,540 kg
Max. Gradability	14°
Control system	Proportional control system

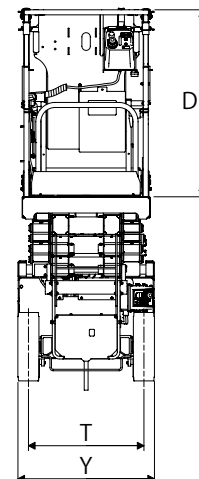
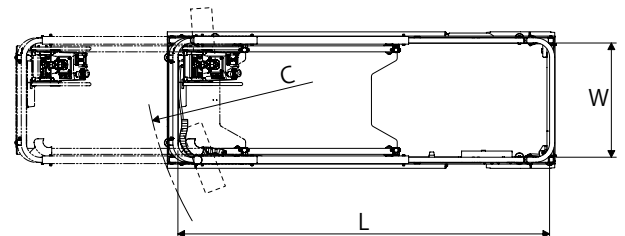
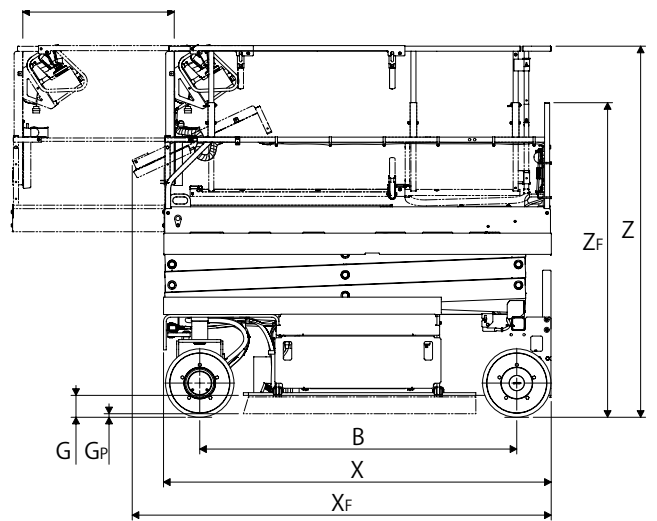
Engine

Engine	Battery 4x6 V
Battery pack	24 V / 185 Ah
Battery charger	24 V / 25 A

Features

Standard features:

- Bright and non-marking tires
- Multifunction display
- Extendable platform
- Ground control
- Indicator lights Charger
- Folding railing



C	1.88 m
L	1.77 m
W	0.68 m
E	0.90 m
G	130 mm
Gp	20 mm
B	1.51 m
X	1.87 m
XF	2.06 m
ZF	1.65 m
Z	1.99 m
D	1.11 m
T	0.71 m
Y	0.81 m